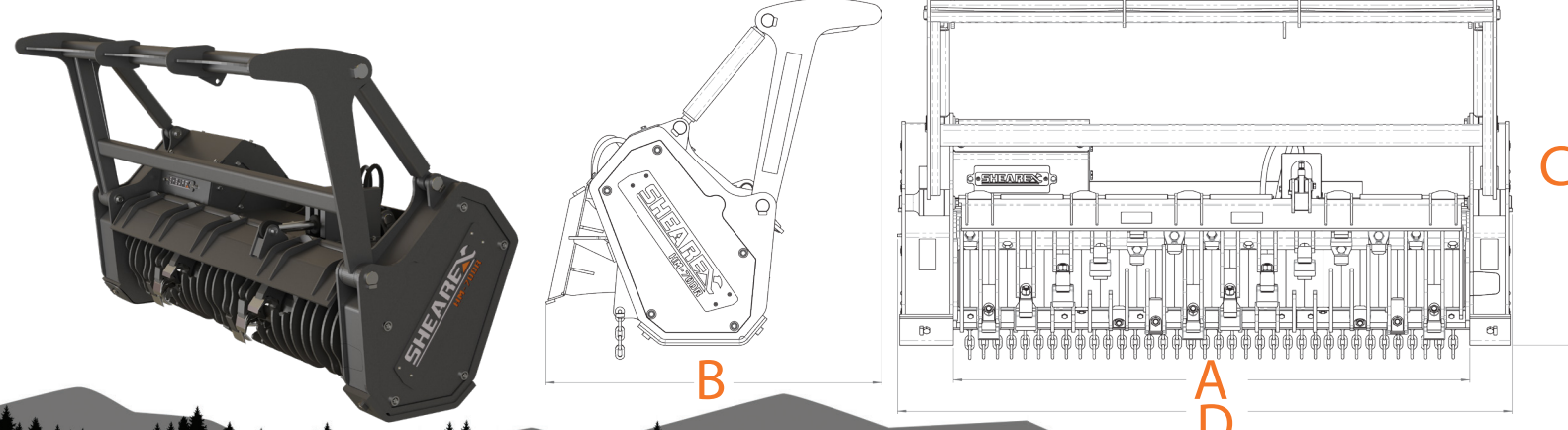
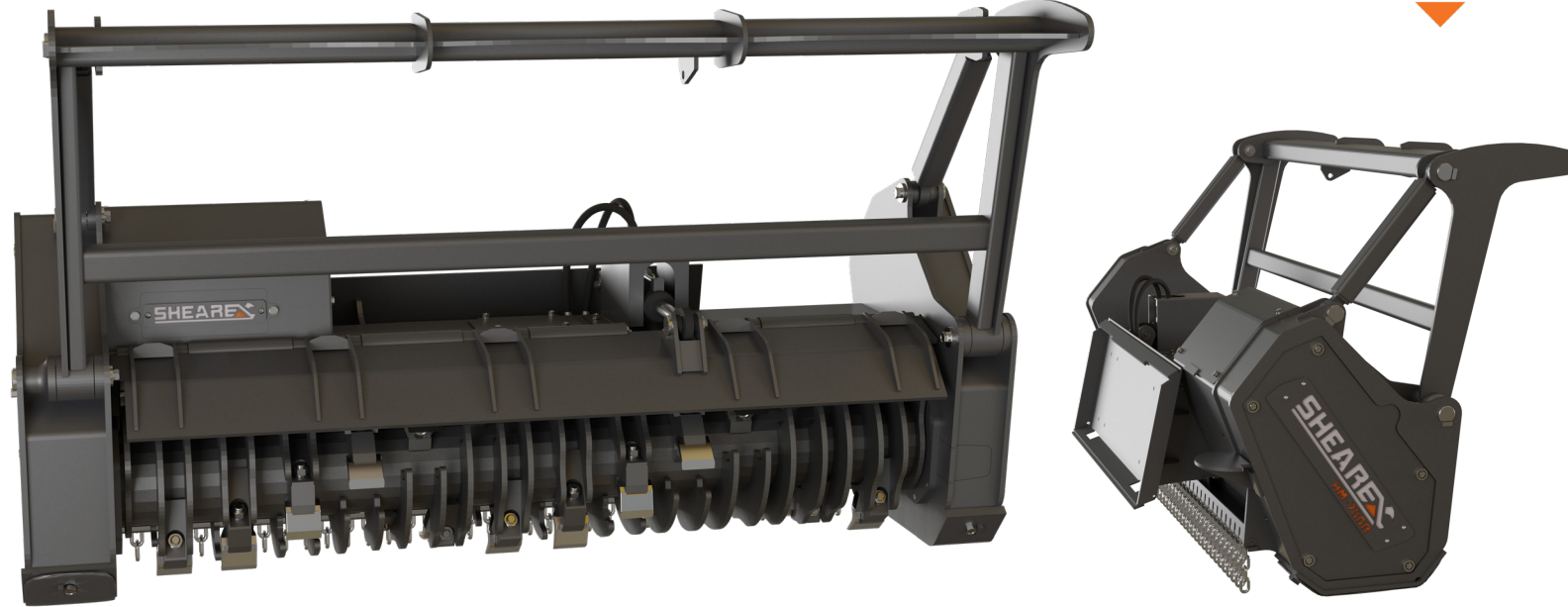


FRONT-MOUNT MULCHER

HM SERIES



IDEAL FOR
LAND CLEARING

The ultimate tool for fast and efficient roadside maintenance, invasive species removal, land clearing, and underbrush maintenance.

ROADSIDE MAINTENANCE
The power and speed to clear the sides of any hunting lanes, trails, roads or highways.

FOREST FIRE PREVENTION
Cutting firebreaks can be a safe and efficient way to limit the spread of forest fires.

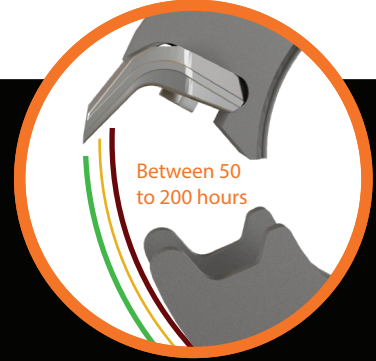
INFRASTRUCTURE
A mulcher can easily manage new roads to maintain a right-of-way under electrical lines.

LAND MANAGEMENT
A mulcher is the most efficient tool to cut underbrush and keep your private property accessible.

PROTECTION SYSTEM CONVEX DX™
The protection system is made out of four types of fins that limit the amount of material cut with each pass and concentrates the smaller material toward the center of the blades.



BLADE ANGLE OPTIMISED FOR A PERFECT CUT
Our new blade and blade mount design allows for greater durability and cutting power. The rotor maintains its power throughout the blades' lives.



SPECIFICATIONS

		HM-60SR	HM-70SR	HM-70DR	HM-70SV	HM-90SV	HM-100SX2
Recommended min. carrier power	kW (hp)	50 (68)	55 (74)	55 (74)	95 (125)	127 (170)	190 (250)
Cutting width	A cm (in)	149 (58.625)	190 (74.75)	190 (74.75)	190 (74.75)	230 (90.75)	254 (100)
Cutting distance from ground level	cm (in)	2 (0.8)	2 (0.8)	2 (0.8)	2 (0.8)	2 (0.8)	2 (0.8)
Number of blades on rotor		21	27	27	24	33	36
Optimal target material diameter	cm (in)	15 (6)	20 (8)	20 (8)	25 (10)	40 (15)	60 (24)
Exterior length	B cm (in)	125 (49.25)	125 (49.25)	126 (49.625)	122 (48.125)	118 (46.5)	118 (46.5)
Exterior height	C cm (in)	129 (50.625)	129 (50.625)	130 (51.25)	133.5 (52.5)	134 (52.625)	134 (52.625)
Exterior width	D cm (in)	183 (72.063)	226 (89)	225 (88.5)	228.25 (90)	269 (106)	299.25 (118)
Rotor diameter	cm (in)	45 (17.625)	45 (17.625)	45 (17.625)	50 (20)	50 (20)	50 (20)
Approximate weight	kg (lbs)	1,043 (2,300)	1,361 (3,000)	1,490 (3,285)	1,624 (3,580)	1,938 (4,272)	2,311 (5,094)
Hydraulics							
Variable displacement axial piston motor	cc	80	110	110	160	160	2 x 110
Min. required continuous flow	l/min (gal/min)	87 (23)	133 (33)	133 (33)	178 (47)	178 (47)	242 (64)
Max. operating pressure	bar (psi)	410 (6,000)	410 (6,000)	410 (6,000)	410 (6,000)	410 (6,000)	410 (6,000)
Rotating speed	rpm	2,600	2,600	2,600	2,500	2,300	2,300
Pressure line I.D.	# (in)	#12 (0.75)	#16 (1)	#16 (1)	#16 (1)	#16 (1)	#20 (1.25)
Return line I.D.	# (in)	#12 (0.75)	#16 (1)	#16 (1)	#16 (1)	#16 (1)	#20 (1.25)
Drain line I.D.	# (in)	#10 (0.625)	#10 (0.625)	#10 (0.625)	#10 (0.625)	#10 (0.625)	#16 (1)
Features							
Bolt-on liner		Included	Included	Included	Included	Included	Included
Hydraulic pushbar		Optional	Optional	Optional	Optional	Optional	Optional
Front Deflector		N/A	N/A	Included	N/A	N/A	N/A
Electronic controls		Optional	Optional	Optional	Optional	Optional	Optional

Information subject to change without notice.

