

**SHEAREX**

# LAND CLEARING & FORESTRY



# OUR MISSION

Shearex fundamentally transforms forestry and land clearing into a customer-driven experience, fueled through the needs and challenges of the global market.

Shearex is built around the great expertise of its employees. Its mission translates into being a leader manufacturer in forestry and land clearing equipment in North America.

Founded in 2020, Shearex is part of the parent company GRYB International - a group of companies aimed at creating the ultimate heavy equipment attachment portfolio in the material handling industries.

**GRYB INTL**

**GRYB**

**BATEMAN**

**WINKLE**

**SHEAREX**

**SERCO**  
LOADERS

**e-Trak**  
Technology Solutions

**RADETECH**  
INNOVATION

**DALKO**  
TECH

TABLE OF CONTENT

# LAND CLEARING

Mulchers & Shears

# FORESTRY

Shears, Splitters & Grapples

**SHEAREX**



**DANGER**  
STAND CLEAR 300'

**SHEAREX**  
HM-7800

An aerial photograph of a dense forest with a mix of green and brown foliage. A large, bright orange banner is overlaid across the middle of the image, containing the text 'LAND CLEARING' in white, bold, sans-serif capital letters.

# LAND CLEARING

# SHEAREX MULCHERS

## HM & VM SERIES

### IDEAL FOR LAND CLEARING

The ultimate tool for fast and efficient roadside maintenance, invasive species removal, land clearing, and underbrush maintenance.



#### ROADSIDE MAINTENANCE

The power and speed to clear the sides of any hunting lanes, trails, roads or highways.



#### FOREST FIRE PREVENTION

Cutting firebreaks can be a safe and efficient way to limit the spread of forest fires.



#### INFRASTRUCTURE

A mulcher can easily manage new roads to maintain a right-of-way under electrical lines.



#### LAND MANAGEMENT

Most efficient tool to cut underbrush and keep your private property accessible.



**VM SERIES**  
EXCAVATOR

**HM SERIES**  
FRONT MOUNT

## G 2.0 BALANCE QUALITY

Our mulchers respect the highest balancing standard in the industry. Enhance your performance by using the Shearex mulchers, ensuring smoother operation, reducing vibration and minimizing stress on the carrier.



## BLADE ANGLE OPTIMISED FOR A PERFECT CUT

Our blade mount design provides greater durability and cutting power. The rotor maintains its power throughout the tooth life.



## PROTECTION SYSTEM CONVEX DX™

Our unique protection system is made of four fins types that limit the amount of material cut with each pass and concentrates smaller material toward the center of the blades.



## NOW AVAILABLE 2 TYPES OF BLADES

Depending on your operation, choose between 2 blade types when ordering your mulcher to provide maximum durability to your equipment.

Shearex **carbide blades** are available for all of your land clearing operation in soil with stones. Choose these blades for land clearing near roads, where asphalt parts can be found, or in fields where the ground could be more rocky. These hammers provide ground breaking durability to your equipment.

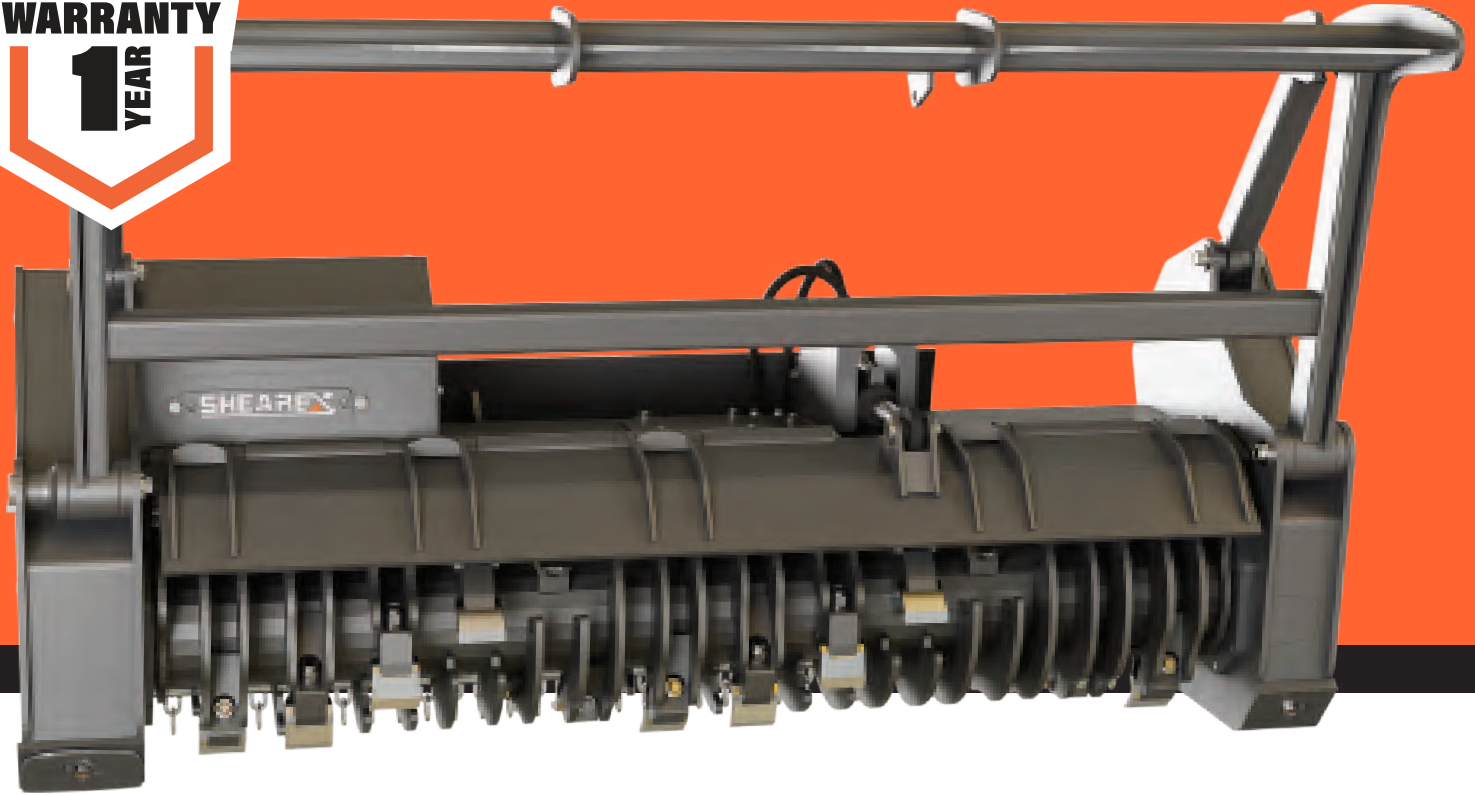
We also offer **cutting blades** which are very efficient for cutting material on smooth soils, land clearing operation and forestry application. The blade angle provides a high efficiency.





WARRANTY

1  
YEAR



# FRONT-MOUNT MULCHER

## HM SERIES

Shearex's hydraulic mulcher is the ultimate tool for fast and efficient roadside maintenance, invasive species removal, land clearing, and underbrush maintenance! The front-mount hydraulic mulcher is the best forestry mulcher head and offers the speed and power to complete any land-clearing job. With our skid steer forestry mulchers, you'll be able to clear land with the utmost efficiency!

### FOREST FIRE PREVENTION

Cutting firebreaks can be a safe and efficient way to limit the spread of forest fires when you use the best skid steer forestry mulcher on the market today!

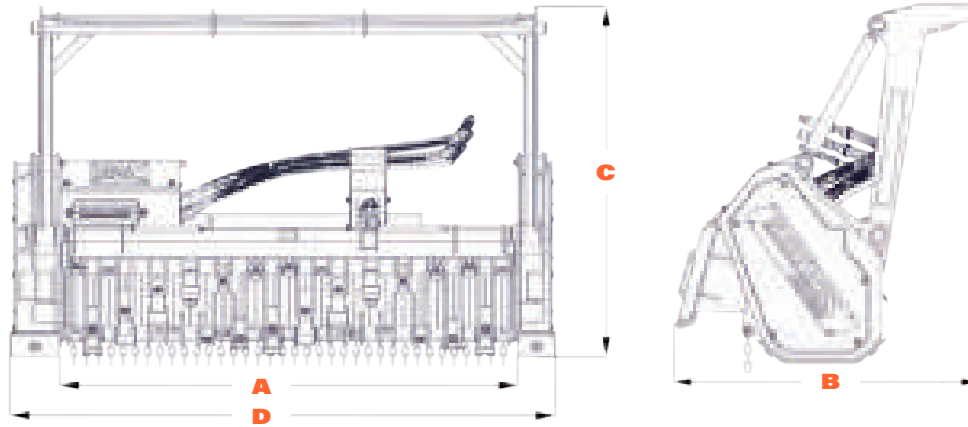
### HYDRAULIC PUSH-BAR

The Hydraulic Push-bar is a convenient piece of equipment that allows the aligning and control of materials during mulching operation.

Reliable and robust, it has been built for heavy duty operations for all the SV series HM mulchers.







**HM-60SR    HM-70SR    HM-70DR    HM-70SV    HM-90SV    HM-100SV2**

		HM-60SR	HM-70SR	HM-70DR	HM-70SV	HM-90SV	HM-100SV2
<b>Recommended Minimum Carrier Power</b>	HP (KW)	68 (50)	74 (55)	74 (55)	125 (95)	170 (127)	250 (190)
<b>Cutting Width A</b>	IN (CM)	58.625 (149)	74.75 (190)	74.75 (190)	74.75 (190)	90.75 (230)	100 (254)
<b>Cutting Distance from Cutting Ground Level</b>	IN (CM)	0.4 (1)	0.4 (1)	0.4 (1)	0.4 (1)	0.4 (1)	0.4 (1)
<b>Number of Blades on Rotor</b>		21	27	27	24	33	36
<b>Optimal Target Material Diameter</b>	IN (CM)	6 (15)	8 (20)	8 (20)	10 (25)	15 (40)	24 (60)
<b>Exterior Length B</b>	IN (CM)	49.25 (125)	49.25 (125)	48 (122)	48.75 (124)	46.5 (118)	46.5 (118)
<b>Exterior Height C</b>	IN (CM)	50.625 (129)	50.625 (129)	57.3 (146)	58.75 (149)	52.625 (134)	59 (150)
<b>Exterior Width D</b>	IN (CM)	72.063 (183)	89 (226)	89 (226)	90 (228.25)	106 (269)	118 (299.25)
<b>Rotor Diameter</b>	IN (CM)	17,625 (45)	17,625 (45)	17,625 (45)	20 (50)	20 (50)	20 (50)
<b>Approximate Typical Weight</b>	LBS (KG)	2,300 (1,043)	3,000 (1,361)	3,285 (1,490)	3,640 (1,655)	4,272 (1,938)	5,094 (2,311)

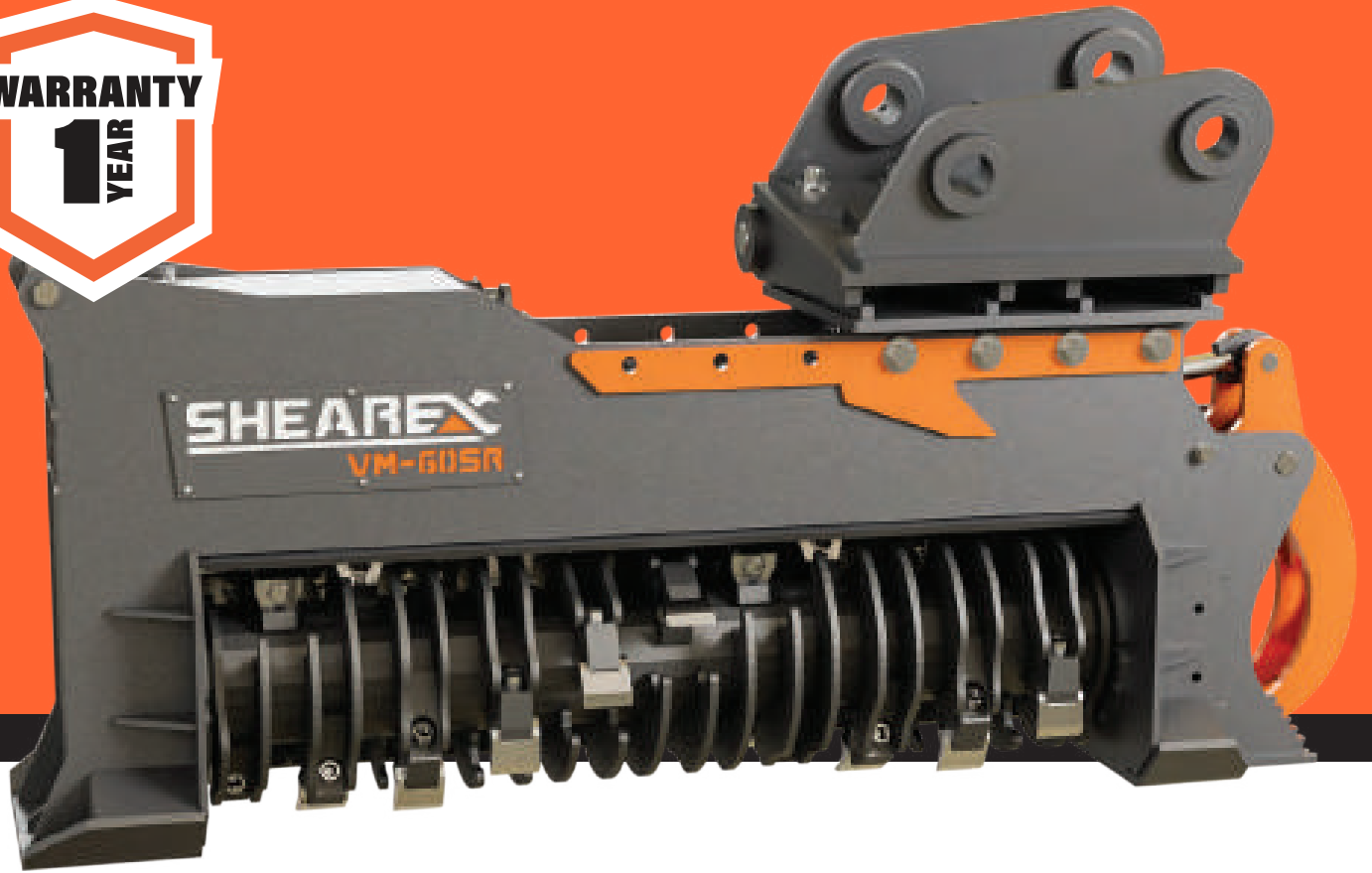
**HYDRAULICS**

		HM-60SR	HM-70SR	HM-70DR	HM-70SV	HM-90SV	HM-100SV2
<b>Variable Displacement Axial Piston Motor</b>	CC	80	110	110	160	160	2x160
<b>Min. Required Continous Flow</b>	GAL/MIN (L/MIN)	23 (87)	33 (133)	33 (133)	52 (197)	52 (197)	95 (360) for 160cc 70 (265) for 110cc
<b>Max. Operating Pressure</b>	PSI (BAR)	6,000 (410)	6,000 (410)	6,000 (410)	6,000 (410)	6,000 (410)	6,000 (410)
<b>Rotating Speed</b>	RPM	2,600	2,600	2,600	2,500	2,300	2,300
<b>Pressure Line I.D.</b>	# (IN)	#12 (0.75)	#16 (1)	#16 (1)	#16 (1)	#16 (1)	#20 (1.25)
<b>Return Line I.D.</b>	# (IN)	#12 (0.75)	#16 (1)	#16 (1)	#16 (1)	#16 (1)	#20 (1.25)
<b>Drain Line I.D.</b>	# (IN)	#10 (0.625)	#10 (0.625)	#10 (0.625)	#10 (0.625)	#10 (0.625)	#16 (1)

**FEATURES**

	HM-60SR	HM-70SR	HM-70DR	HM-70SV	HM-90SV	HM-100SV2
<b>Bolt-on Liner</b>	Included	Included	Included	Included	Included	Included
<b>Mechanical Pushbar</b>	Included	Included	Included	Included	Included	Included
<b>Hydraulic Pushbar</b>	N/A	N/A	N/A	Optional	Optional	Optional
<b>Front Deflector</b>	N/A	N/A	Included	N/A	N/A	N/A
<b>Hydraulic Motor Option</b>	N/A	N/A	N/A	N/A	N/A	2 x 110cc

This information is subject to change without notice.



# EXCAVATOR MULCHER

## VM SERIES

### COUPLING

Shearex provides the standard attachment bracket to couple the mulcher to the carrier. Shearex is also able to make a coupler adapted to any brand of carrier you might have.



### TILTING SYSTEM

Essential tool for facilitating work *at height* for the operator of an excavator by more easily visualizing the trajectory of the mulcher's rotor.

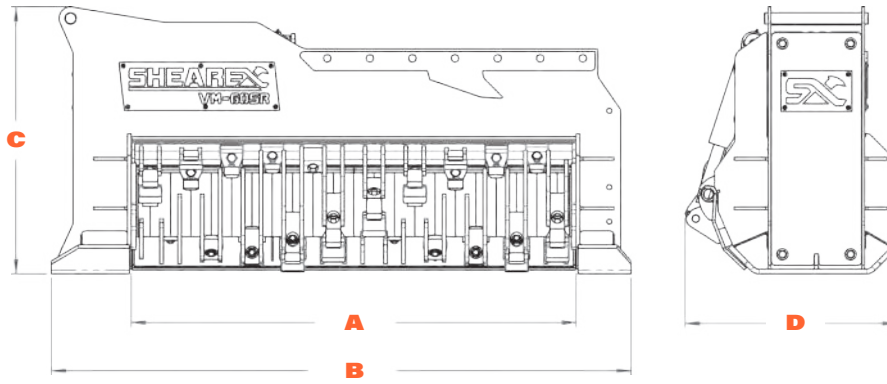


AVAILABLE ON THE -SR SERIES

### OPTIONAL GRAPPLE SYSTEM

Move and sort through smaller material or pile them up for greater mulching control.





**VM-25SK    VM-35SK    VM-40SL    VM-50SR    VM-60SR    VM-65SV**

Excavator Size	T (LBS)	5 to 8 (11,000 to 18,000)	8 to 12 (18,000 to 26,000)	12 to 15 (26,000 to 33,000)	15 to 20 (33,000 to 44,000)	20 to 25 (44,000 to 55,000)	25 to 40 (55,000 to 88,000)
<b>Recommended Min. Carrier Power</b>	KW (HP)	37 (50)	40 (54)	48 (65)	59 (80)	96 (130)	127 (170)
<b>Cutting Width A</b>	IN (CM)	27.5 (70)	37.2 (94.5)	42 (106.7)	48.4 (123)	58.75 (149)	65 (165)
<b>Cutting Distance From Ground Level</b>	IN (CM)	0.25 (0.64)	0.25 (0.64)	0.25 (0.64)	0.25 (0.64)	0.25 (0.64)	0.25 (0.64)
<b>Number of Blades on Rotor</b>		9	11	14	17	21	21
<b>Optimal Target Mat. Dia.</b>	IN (CM)	<4 (<10)	4 (10)	6 (15)	10 (25)	15 (40)	20 (50)
<b>Exterior Length B</b>	IN (CM)	41 (104)	50 (127)	57 (140)	66 (168)	77 (195)	89 (226)
<b>Exterior Height C</b>	IN (CM)	30.5 (77)	30 (76)	33.5 (85)	35 (89)	35 (89)	42 (107)
<b>Exterior Width D</b>	IN (CM)	23 (58)	25 (63)	25.4 (64.5)	28 (71)	28 (71)	29 (74)
<b>Rotor Diameter</b>	IN (CM)	15.15 (38)	15.15 (38)	16 (41)	17.7 (45)	17.7 (45)	19.7 (50)
<b>Approximate Weight</b>	LBS (KG)	1,100 (499)	1,150 (522)	1,668 (757)	2,150 (975)	2,614 (1,188)	3,707 (1,681)

**HYDRAULICS**

<b>Variable Displacement Axial Piston Motor</b>	CC	28	60	80	110	110	160
<b>Min. Required Continous Flow</b>	GAL/MIN (L/MIN)	13 (49)	20 (76)	30 (114)	42 (159)	42 (159)	51 (193)
<b>Max. Operating Pressure</b>	PSI (BAR)	6,000 (410)	6,000 (410)	6,000 (410)	6,000 (410)	6,000 (410)	6,000 (410)
<b>Rotating Speed</b>	RPM	3,800	3,400	3,500	3,000	3,000	3,000
<b>Pulley Ratio</b>		1:2:1	1:1	1:1	1:2:1	1:2:1	1:2:1
<b>Pressure Line I.D.</b>	# (IN)	#12 (0.75)	#10 (0.625)	#16 (1)	#16 (1)	#16 (1)	#16 (1)
<b>Return Line I.D.</b>	# (IN)	#12 (0.75)	#10 (0.625)	#16 (1)	#16 (1)	#16 (1)	#20 (1.25)
<b>Drain Line I.D.</b>	# (IN)	#8 (0.5)	#8 (0.5)	#10 (0.625)	#12 (0.75)	#12 (0.75)	#12 (0.75)

**FEATURES**

<b>Tilting System</b>	Optional	Optional	Optional	Optional	Optional	Optional	Optional
<b>Bolt-on Wear Liner</b>	N/A	N/A	Included	Included	Included	Included	Included
<b>Grappling Hook</b>	N/A	Optional	Optional	Optional	Optional	Optional	Optional

This information is subject to change without notice.

# HARVESTER SHEAR

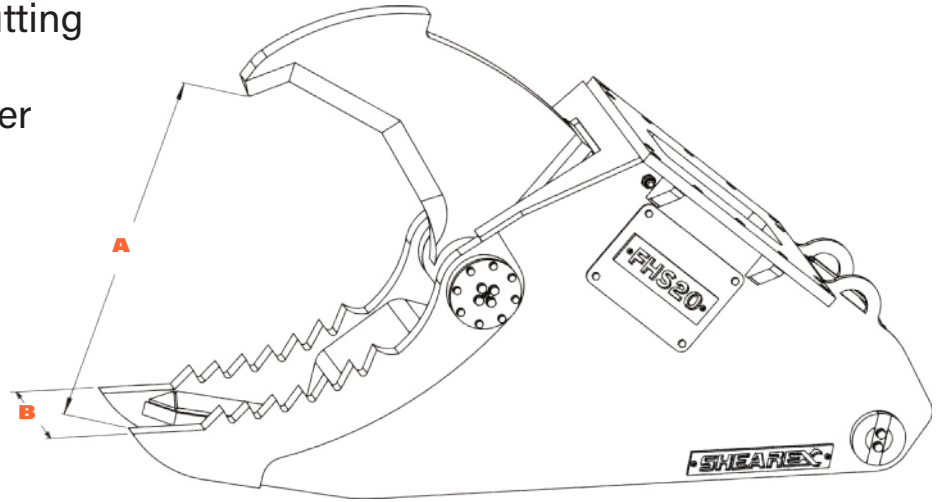
## FHS SERIES

Finish your land clearing jobs in-depth by uprooting and cutting roots, stumps, and biomass beyond the reach of your other land clearing tools.

**LOW  
MAINTENANCE**

**EXTREME  
CUTTING FORCE**

**HIGH-QUALITY  
STEEL**



MODEL	CARRIER	WEIGHT LBS (KG)	OPENING IN (MM) A	WIDTH IN (MM) B	DEPTH IN (MM)	PRESSURE PSI (BAR)	FORCE T
FHS20	15t-25t	2,680 (1,218)	39 (990)	15.75 (400)	28 (711)	5,000 (350)	30
FHS30	25t-35t	4,640 (2,110)	55 (1,400)	18.00 (457)	37 (940)	5,000 (350)	45

This information is subject to change without notice.





# STUMP SHEAR

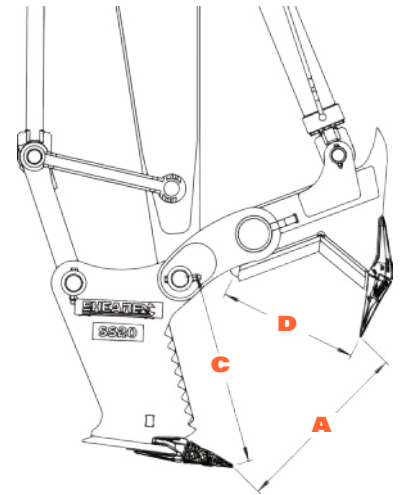
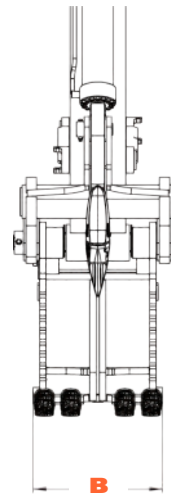
## SS SERIES

**EASY MAINTENANCE**

**POWERFUL GRIP**

**IDEAL FOR LAND CLEARING**

**AVAILABLE IN HYDRAULIC OR MECHANICAL CONFIGURATIONS**



MODEL	CARRIER	WEIGHT LBS (KG)	OPENING IN (MM) <b>A</b>	WIDTH IN (MM) <b>B</b>	TIP RADIUS IN (MM) <b>C</b>	CUT LENGTH IN (MM) <b>D</b>
SS16	12t-16t	2,315 (1,050)	52 (1,321)	22 (559)	32 (813)	21 (533)
SS16M	12t-16t	2,315 (1,050)	52 (1,321)	22 (559)	32 (813)	21 (533)
SS20	15t-24t	2,811 (1,275)	58 (1,473)	25 (635)	34 (864)	24 (610)
SS20M	15t-24t	2,811 (1,275)	58 (1,473)	25 (635)	34 (864)	24 (610)
SS27	18t-25t	3,858 (1,750)	64 (1,626)	30 (762)	42 (1,067)	30 (762)
SS27M	18t-25t	3,858 (1,750)	64 (1,626)	30 (762)	42 (1,067)	30 (762)
SS30	25t-38t	5,512 (2,500)	68 (1,727)	30 (762)	43 (1,092)	31 (787)
SS30M	25t-38t	5,512 (2,500)	68 (1,727)	30 (762)	43 (1,092)	31 (787)
SS40	30t-50t	7,716 (3,500)	72 (1,828)	32 (813)	48 (1,219)	34 (864)

This information is subject to change without notice.



A photograph of a winter forest. The ground is covered in a layer of snow. In the foreground, there are several fallen, bare tree trunks and branches. The background is filled with many tall, thin, bare trees reaching up towards a clear blue sky. The overall scene is a quiet, cold forest landscape.

# FORESTRY



# TREE SHEAR

## FTS SERIES

With its multiple tree capacity, it's powerful replaceable cutting blade and it's 360 degrees rotation the Shearex tree shear is a natural choice for those who seek to cut down a whole tree in a matter of seconds.

The tree shear is available for 3 to 35 ton excavators.

### IDEAL FOR FORESTRY

Rapidly cut and move whole trees for other specialised units to transport and process. The Shearex tree shear is an effective and easy way to jumpstart your forestry production output.

**EASY MAINTENANCE**

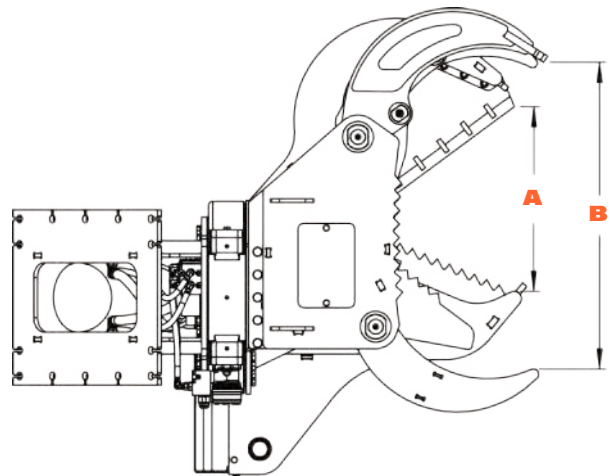
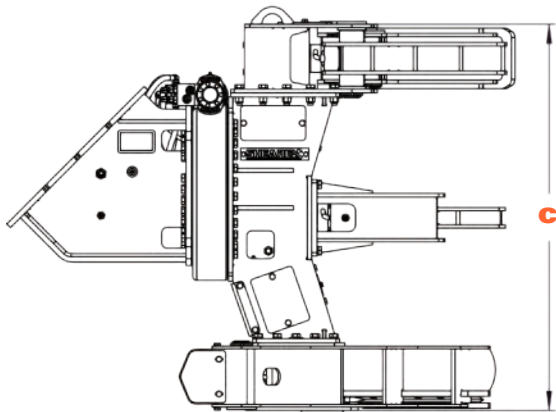
**OPTIONAL ACCUMULATOR**

**POWERFUL GRIP & CUT**

**360 DEGREES OF POWERFUL ROTATION**

**PROTECTED CYLINDERS**





MODEL	CARRIER	WEIGHT LBS (KG)	OPENING IN (MM) <b>A</b>	GRAPPLING IN (MM) <b>B</b>	HEIGHT IN (MM) <b>C</b>	FORCE T	PRESSURE PSI (BAR)	HYD. FLOW GPM (L/MIN)
FTS05	3t-7t	750 (341)*	35 (889)	35 (889)	23 (584)	11	3,191 (220)	13-15 (50-60)
FTS07	5t-9t	950 (431)*	35 (889)	35 (889)	24 (609)	11	3,191 (220)	13-15 (50-60)
FTS12	8t-14t	1,300 (590)*	18 (457)	33.5 (850)	47(1,194)	16	3,626 (250)	15-21 (60-80)
FTS16	12t-18t	2,420 (1,100)*	25 (635)	43 (1,092)	56 (1,422)	37	4,351 (300)	21-26 (80-100)
FTS20	16t-24t	3,960 (1,800)*	29.5 (749)	43 (1,092)	68 (1,727)	45	4,351 (300)	34-40 (130-150)
FTS25	21t-35t	4,620 (2,100)*	33.5 (850)	59 (1,498)	73 (1,854)	51	4,351 (300)	40-48 (150-180)

\*Weight does not include rotation and accumulator. This information is subject to change without notice.



# WOOD CONE SPLITTER

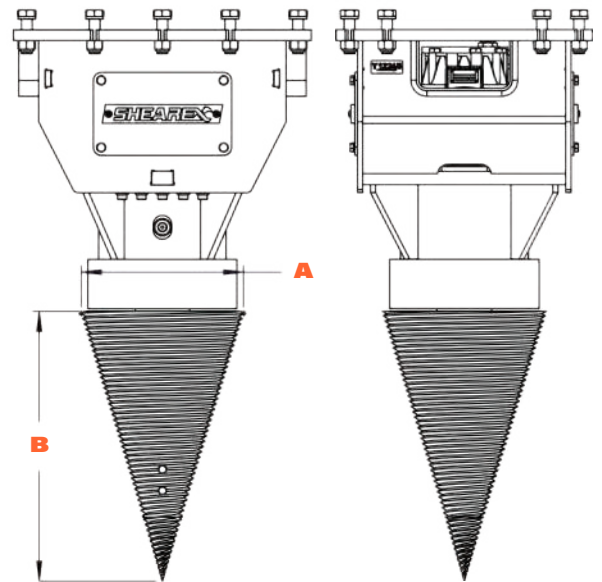
## FWS SERIES

Split your logs with power and ease. The wood cone splitter quickly handles large workloads.

**IDEAL FOR  
FORESTRY**

**EASY TO  
MAINTAIN**

**IMPRESSIVE  
SPLITTING POWER**



MODEL	CARRIER	WEIGHT LBS (KG)	DIAMETER IN (MM) <b>A</b>	HEIGHT IN (MM) <b>B</b>	PRESSURE PSI (BAR)	HYD. FLOW GPM (L/MIN)	TORQUE LBS-FT (NW)
FWS09	3.0t-9t	700 (318)	13.5 (343)	22 (559)	5,000 (350)	10-25 (38-100)	11,400 (15,500)
FWS30	10t-30t	1,650 (750)	15.5 (394)	25 (635)	5,000 (350)	20-50 (75-190)	11,400 (15,500)

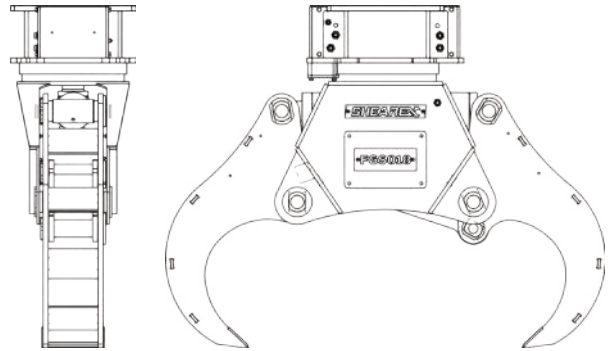
This information is subject to change without notice.

# LOG SPLITTER GRAPPLE

## FGS SERIES

Maximize your logging operations with this log splitter grapple by handling and splitting your logs at the same time.

**IDEAL FOR  
FORESTRY**



MODEL	CARRIER	WEIGHT LBS (KG)	OPENING IN (MM)	WIDTH IN (MM)	DEPTH IN (MM)	PRESSURE PSI (BAR)	FORCE T
FGS005	3t-5t	450 (204)	24 (610)	6 (152)	12 (305)	4,640 (320)	10
FGS007	6t-8t	670 (304)	32 (812)	8 (203)	18 (458)	4,650 (320)	15
FGS012	9t-13t	1,154 (524)	41.25 (1,048)	10 (254)	20 (508)	4,650 (320)	25
FGS018	14t-21t	2,122 (964)	54.5 (1,385)	12 (305)	28 (711)	5,000 (350)	35
FGS025	22t-30t	4,410 (2,000)	71 (1,803)	16 (406)	35 (889)	5,000 (350)	50

This information is subject to change without notice.



**SHEAREX**

**GRYB  
INTL**

**1-579-213-0350 - INFO@SHEAREX.COM**

---

**FOLLOW US**     



**SHEAREX.COM**

SH-CA-ALL\_PRODUCT-E-23-01